

KOMBINOVANÁ TROUBA GAGGENAU



Nepoužívaná, pouze vystavená na studiu

- Šířka 60 cm
- 13 druhů ohřevu
- Elektr. regulace teploty 30–230 °C
- **Sous-vide vaření**
- Kombinovaný horký vzduch s párou 0–100 %
- Automatické programy
- Externí parní generátor
- TFT dotykový displej
- LED osvětlení
- Teplotní sonda
- Otevírání dveří pomocí madla
- Odvápňovací program
- **Vyjímatelná nádržka na vodu 1,7 l**
- Vnitřní objem 50 l
- **Home Connect**

Původní cena: 144 150,-

Aktuální cena: 99 990,-



BSP250101
Combi-steam oven 200 series
Full glass door in Gaggenau Anthracite
Width 60 cm
Right-hinged
Controls at the top



Flush installation
Water tank for fresh and waste water
Large cavity
LED light source
External steam generation
Steaming without pressure
Hot air 30 °C to 230 °C can be combined with chosen humidity level of 0%, 30%, 60%, 80% or 100%
Sous-vide cooking with accurate temperature regulation
Full surface grill behind glass ceramic, combinable with circulated air up to 230 °C and steam
Automatic programmes
Core temperature probe with estimation of cooking time
Hot air fan rotates in both directions for ideal heat distribution
TFT touch display
Panel-free appliance with surface control module
Electronic temperature control from 30 °C bis 230 °C
Net volume 50 litres

Heating methods

Hot air + 100 % humidity.
Hot air + 80 % humidity. Hot air + 60 % humidity. Hot air + 30 % humidity. Hot air + 0 % humidity. Low temperature cooking. Sous-vide cooking. Full surface grill level 1 + humidity. Full surface grill level 2 + humidity. Full surface grill + circulated air. Dough proofing. Defrosting. Regenerating.

Handling

Rotary knob and TFT touch display operation.
Clear text display.
Option to save individual recipes (incl. core temperature probe).
Personalisation of automatic programmes.
Information key with use indicators.
Side-opening door opens up to 110° angle.

Features

Full surface grill 2 KW behind glass ceramic.
2 removable 1.7 litre water tanks.
Water level warning.
Three-point core temperature probe with automatic shut-off and estimation of cooking time.
Automatic programmes.
Actual temperature display.
Timer functions: cooking time, cooking time end, timer, stopwatch, long-term timer (certified by Star-K).
Automatic boiling point detection.
LED light on the side.
Hygienic stainless steel cooking interior.
3 tray levels.

Selected digital services (Home Connect)

Automatic programmes.
Remote control and monitoring.
Recipes.
Home network integration for digital services (Home Connect) either via cable connection LAN (recommended) or wireless via WiFi.

Characteristics

Gross weight
105.000

Color / Material Front
Anthracite

Built-in / Free-standing
Built-in

Door opening
Lateral

Min. required niche size for installation (HxWxD)
450-450 x 560-560 x 550

Dimensions
455 x 590 x 540

Dimensions of the packed product (HxWxD)
590 x 660 x 700

Control Panel Material
without panel

Door Material
Glass

Net weight
45.3

Length electrical supply cord
175.0

Cooking method
, Defrost, fermentation, grill + steam, Hot Air, Hot air + steam 100%, Hot air + steam 30%, Hot air + steam 60%, Hot air + steam 80%, Hot air grilling, Low temperature cooking, Regeneration

Time-setting Options
Start and Stop

Fuse protection
16

Voltage
220-240

Frequency
50

Plug type
Gardy plug w/ earthing

Connecting cable type
Universal Product Code

Color / Material Front
Anthracite

Alternative colors available
BSP250111, BSP250131

Energy input
Electric

Fuse protection
16

Voltage
220-240

Frequency
50

Length of electrical supply cord (in)
Plug type
Gardy plug w/ earthing

Appliance Dimensions (h x w x d) (in)
Required cutout/niche size for installation (in)

Dimensions of the packed product
Net weight
100.000

Included accessories
1 x grid, 1 x pluggable meat probe, 1 x STS tray, punched, 40 mm deep, 1 x STS tray, unpunched, 40 mm deep

Consumption and connection features

2023-05-09
Page 1

The use of the Home Connect functionality depends on the Home Connect services, which are not available in every country. For further information please check: home-connect.com.

Safety

Child lock.
Safety shut-off.
Cooled housing with temperature protection.

Cleaning

Cleaning aid.
Descaling programme for the steam generator.
Drying function.
Automatic drying of the cavity at the end of the cooking process.
Water tank, dishwasher-safe.
Grease filter, dishwasher-safe.
Strainer filter, removable.

Planning notes

Door hinge not reversible.
No other electrical appliances should be installed above the BS.
The door panel surface of the appliance extends 21 mm from the furniture cavity.
The outer edge of the door handle extends 72 mm from the furniture cavity.
Necessary lateral gap between appliance door and furniture panel of min. 5 mm.
Consider the overhang, incl. the door handle, when planning to open drawers next to the appliance.
When planning a corner solution, pay attention to the side-opening door and the minimum required distance to the wall.
The mains socket needs to be planned outside the built-in niche.
The LAN port can be found at the back on the lower left side.
Special accessories (order as spare part):
Part No. 17002490 Descaling tablets.

Connection

Energy efficiency class A at a range of energy efficiency classes from A+++ to D.
Total connected load 3.1 KW.
Connecting cable 1.8 m with plug.
Plan a LAN cable.
Power consumption standby/display on 0.8 W.
Power consumption standby/display off 0.5 W.
Power consumption standby/network 1.8 W.
Time auto-standby/display on 20 min.
Time auto-standby/display off 20 min.
Time auto-standby/network 20 min.
Please check the user manual for how to switch off the WiFi module.

Color Variants

BSP250101
Full glass door in Gaggenau Anthracite
Width 60 cm

BSP250111
Full glass door in Gaggenau Metallic
Width 60 cm

BSP250131
Full glass door in Gaggenau Silver
Width 60 cm

Included accessories

1 x grid.
1 x pluggable meat probe.
1 x STS tray, punched.
40 mm deep.
1 x STS tray, unpunched.

Optional accessories

BA010301
Triple telescopic pull-out rack

BA020361
Cooking container, stainless steel, unperforated, 46 mm deep, 5.4 l.

BA020370
Cooking container, stainless steel, perforated, 40 mm deep, 5 l.

BA020381
Cooking container, non-stick, unperforated, 46 mm deep, 5.4 l.

BA020390
Insert, non-stick, perforated, 40 mm deep, 5 l.

BA046117
Glass tray

GN010330
Adapter for gastronorm insert and roaster.

GN114130
Gastronorm insert, stainless steel, GN 1/3

GN114230
Gastronorm insert, stainless steel, GN 2/3

GN124130
Gastronorm insert, stainless steel, GN 1/3

GN124230
Gastronorm insert, stainless steel, GN 2/3

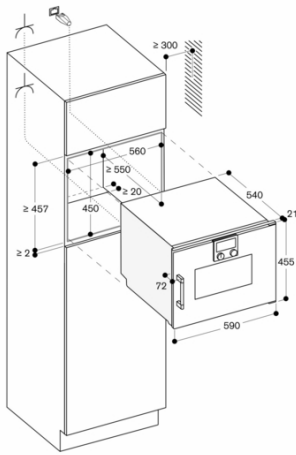
GN340230
Gastronorm roaster in cast aluminium.

Product Variants

BSP251101
Combi-steam oven 200 series
Full glass door in Gaggenau Anthracite
Width 60 cm
Left-hinged
Controls at the top

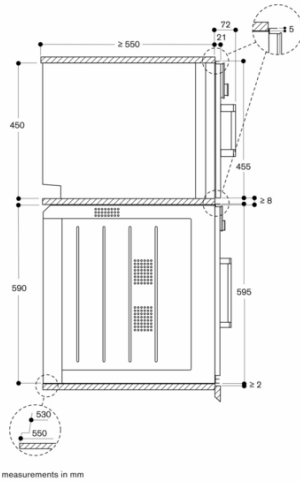
GAGGENAU

BSP250101
Combi-steam oven 200 series
Full glass door in Gaggenau Anthracite
Width 60 cm
Right-hinged
Controls at the top
2023-05-09
Page 2



Socket
measurements in mm

Side view of BSP 220/250 above BOP



measurements in mm